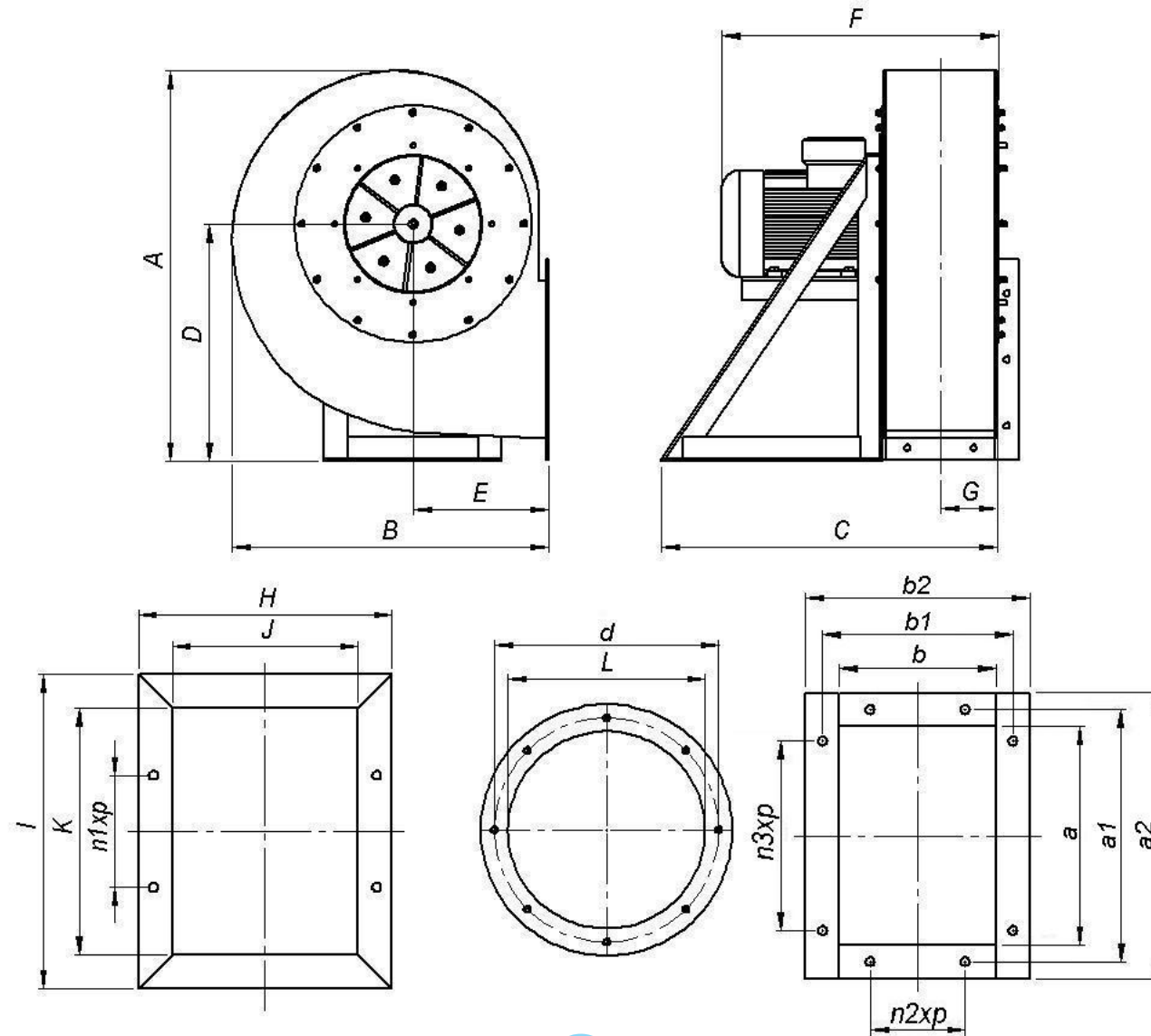


VENTILATORI VISOKOG PRITISKA



VENTILATORI VISOKOG PRITISKA

MODEL	A	B	C	D	E	F	G	H	I	J	K	L	b2	a2	b1	a1	b	a	n1xp	no	f	n2xp	n3xp	no	f	d	no	f
SVVP 11 2,2/2	776	635		460	272	480	67,5	310	387,8424	230	467,8424	170	215	250	180	215	135	170	1x350	4	10	2x90	2x107.5	8	10	205	8	M8x15
SVVP 11 3/2	776	635		460	272	480	67,5	310	387,8424	230	467,8424	170	215	250	180	215	135	170	1x350	4	10	2x90	2x107.5	8	10	205	8	M8x15
SVVP 12 3/2	776	635		460	272	520	67,5	360	404,7051	280	484,7051	170	215	250	180	215	135	170	1x350	4	10	2x90	2x107.5	8	10	205	8	M8x15
SVVP 21 4/2	877	716		520	295	535	75	360	445,1756	280	525,1756	210	230	280	195	245	150	200	1x350	4	10	2x97.5	2x122.5	8	10	258	8	M8x15
SVVP 22 4/2	877	716		520	295	550	75	360	445,1756	280	525,1756	210	230	280	195	245	150	200	1x350	4	10	2x97.5	2x122.5	8	10	258	8	M8x15
SVVP 21 5,5/2	877	716		520	295	590	75	360	445,1756	280	525,1756	210	230	280	195	245	150	200	1x350	4	10	2x97.5	2x122.5	8	10	258	8	M8x15
SVVP 22 5,5/2	877	716		520	295	620	75	410	462,0383	330	542,0383	210	230	280	195	245	150	200	1x350	4	10	2x97.5	2x122.5	8	10	258	8	M8x15
SVVP 31 7,5/2	922	777		535	295	640	85	410	472,156	330	552,156	246	250	250	215	215	170	170	1x350	4	10	2x107.5	2x107.5	8	10	280	8	M8x15
SVVP 31 11/2	922	777		535	295	680	85	410	472,156	330	552,156	246	250	250	215	215	170	170	1x350	4	10	2x107.5	2x107.5	8	10	280	8	M8x15
SVVP 32 11/2	922	777		535	295	785	85	460	489,0187	380	569,0187	246	250	250	215	215	170	170	1x350	4	10	2x107.5	2x107.5	8	10	280	8	M8x15